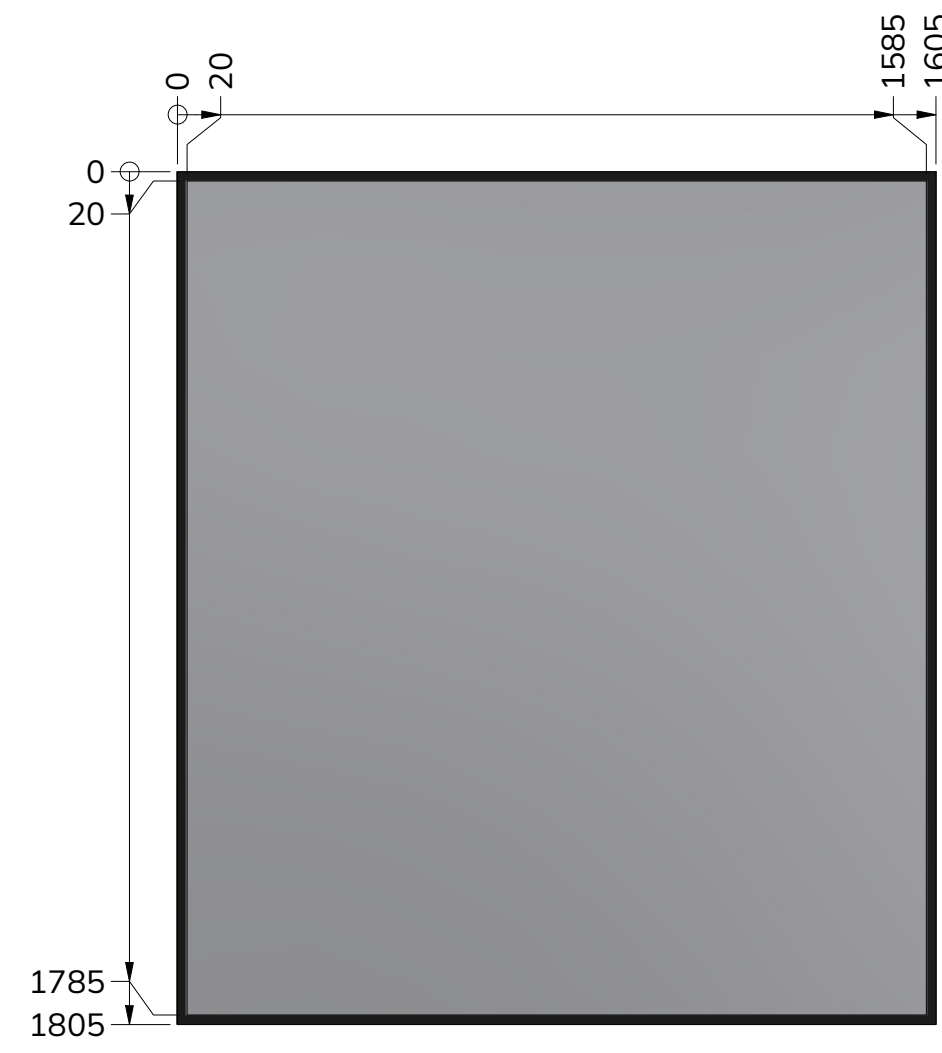
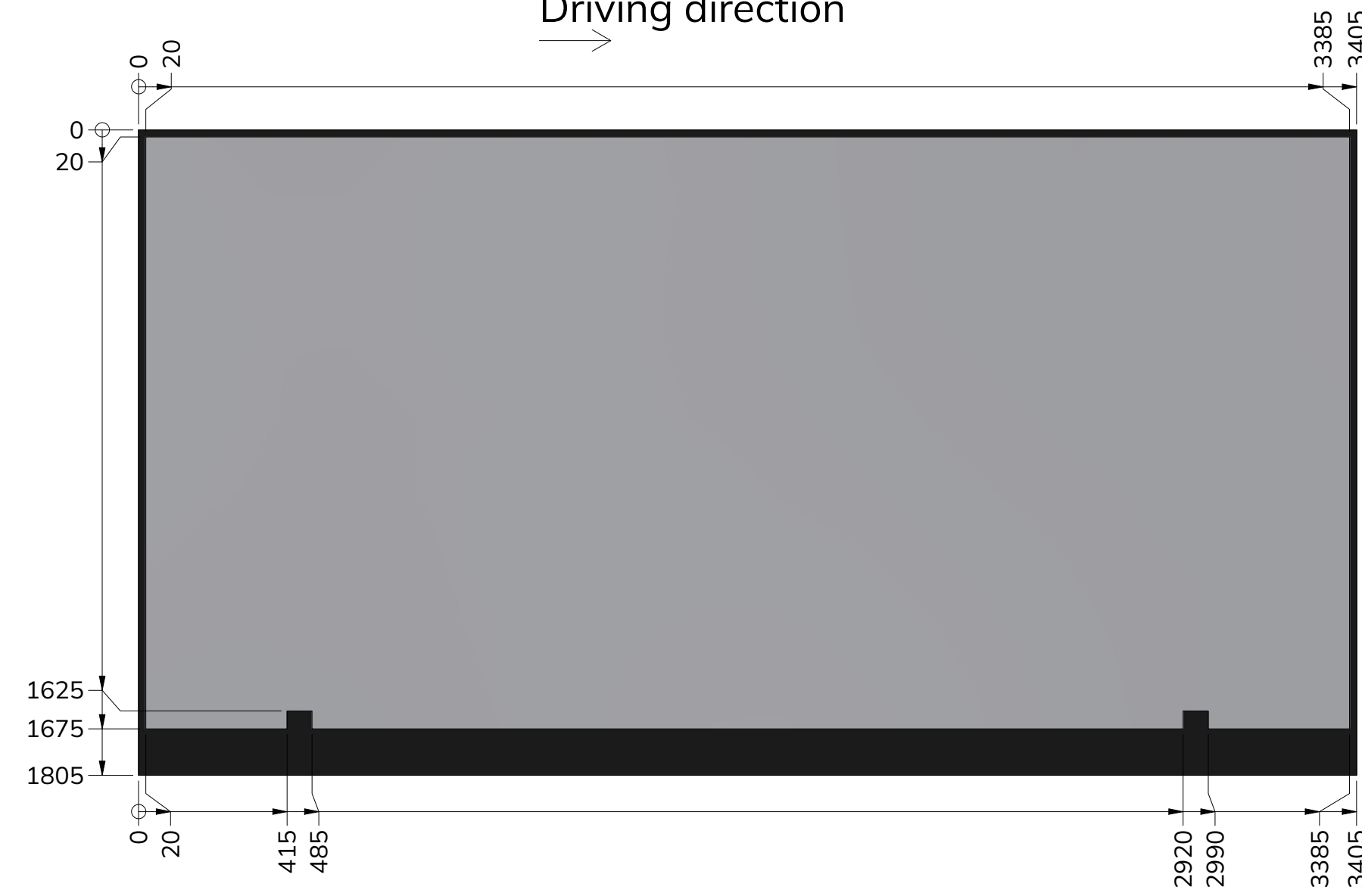


IMPORTANT: NO PRINT ON THE BLACK AREAS

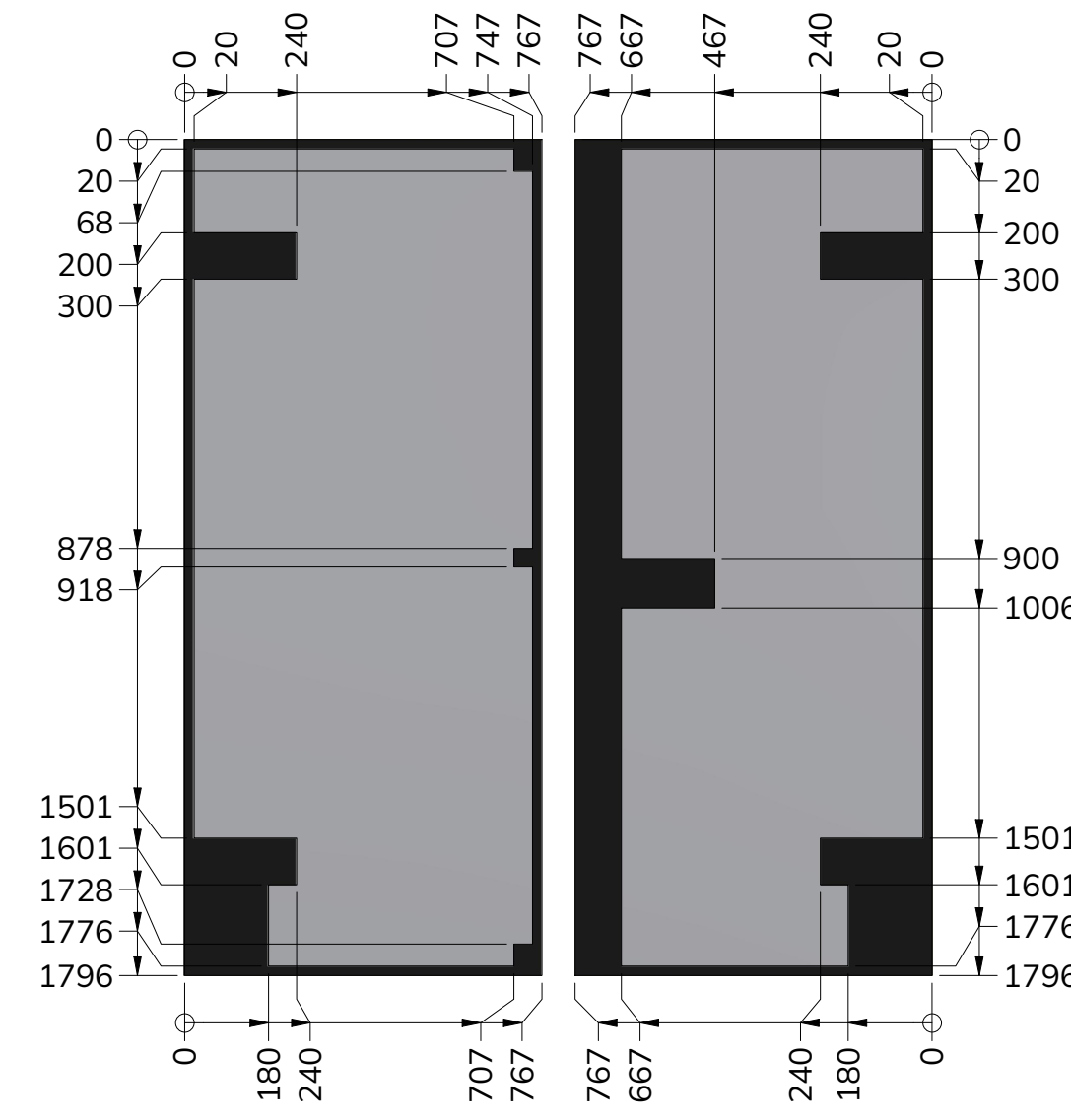
FRONT



RIGHT SIDE
Driving direction →



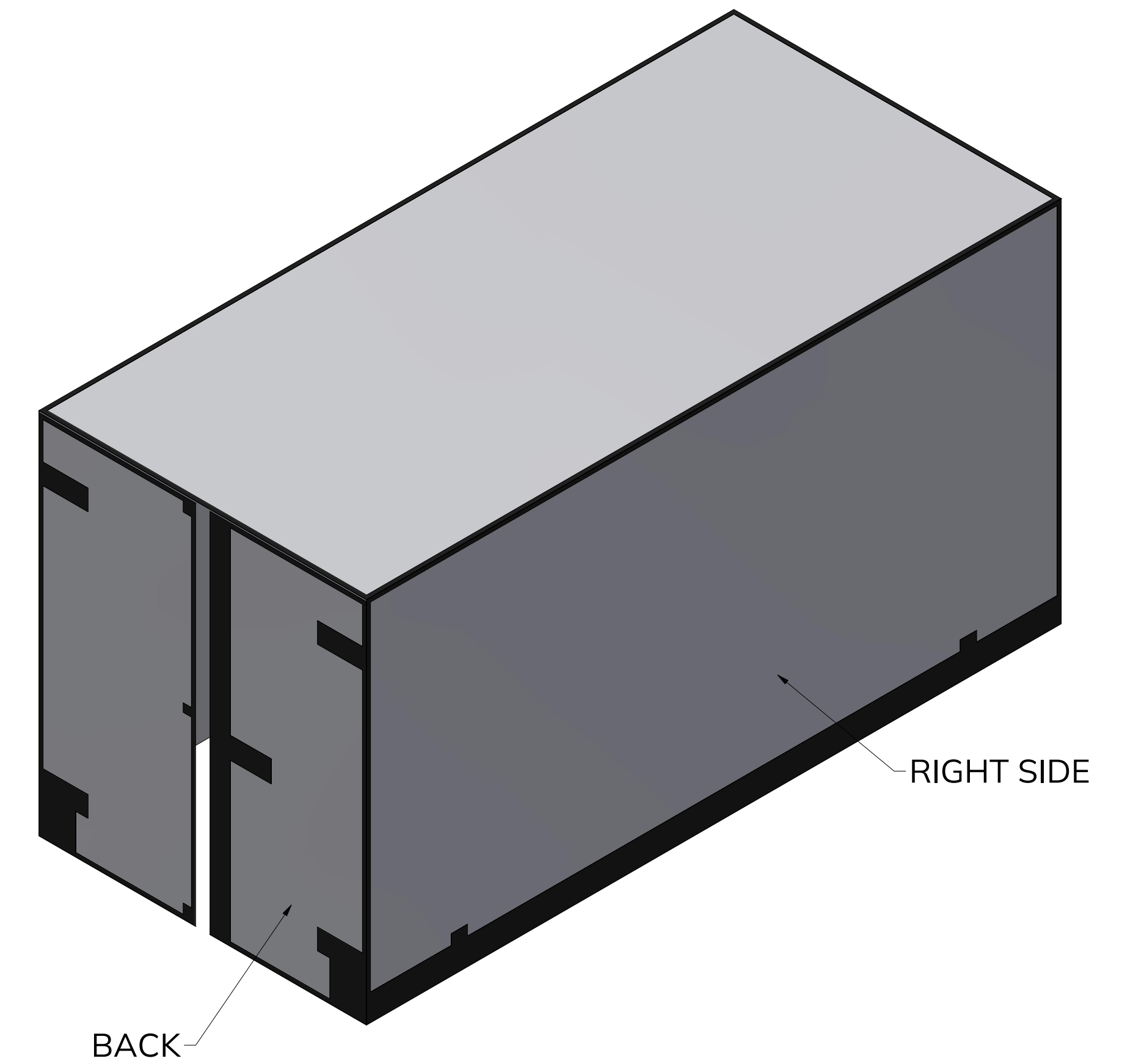
BACK



LEFT SIDE
Driving direction ←



TOP
Driving direction →



Rev.	Description	Date	Int.
-		16-10-2024	RIK
Revision History			
Material:	ABS Plastic	Drawn by: RIK	Date: 13-06-2024
Surface:		Drawing Number:	102574
Title:	Surfaces for foil- C4-Door	Stock Number:	102574
Title DK:	Flader til folie- C4-Døre	Thickness:	Type: Part
Description:		Scale:	1 : 16
		Sheets no.:	1 / 1
		Revision:	-
		Weight:	0,0 kg
		Material:	DS/ISO 2768c
		Standard:	DS/ISO 2768m
		Sheet size:	A1